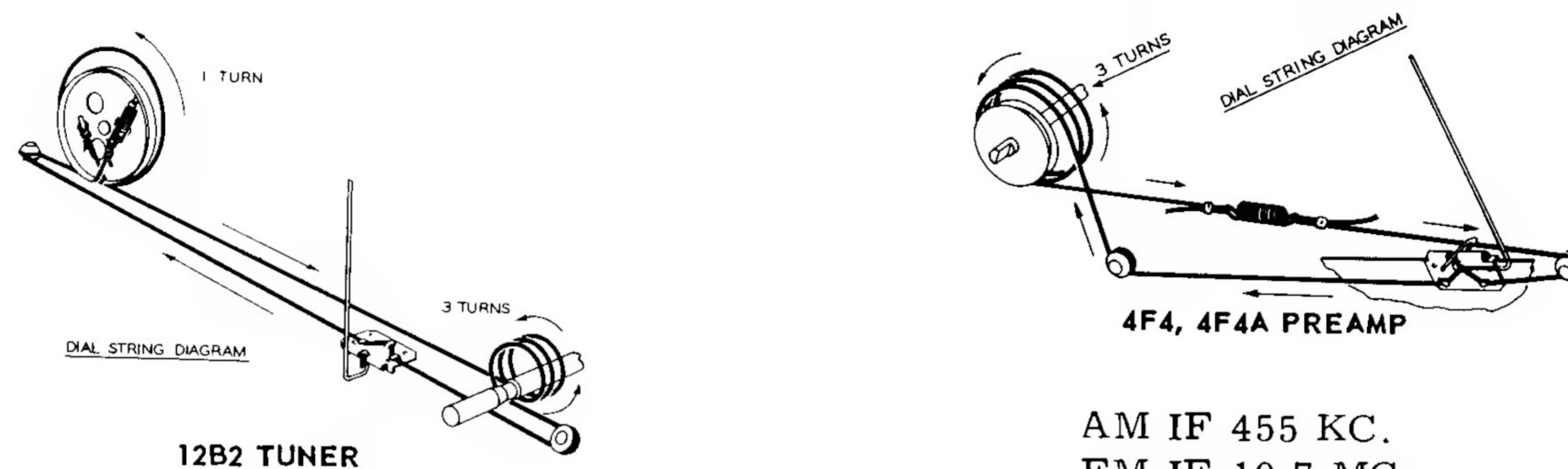


Diagram of 12B2 Tuner across pages 18-19. See page 20 for 4F4 pre-amp and 8L3 power unit diagrams. List of models in chart at right.

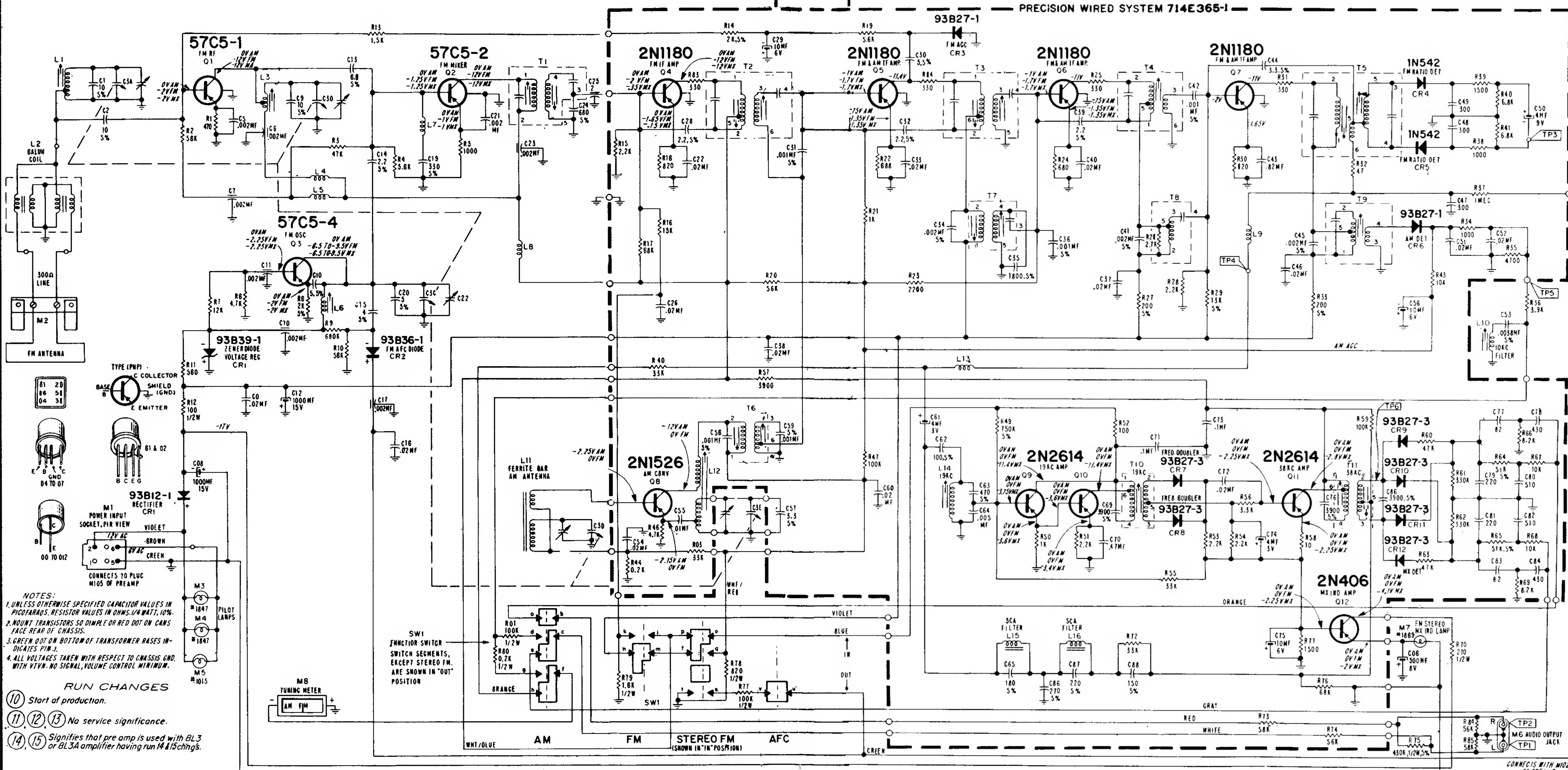
MODEL CHART			
MODEL	NAME	FINISH	CHASSIS
YG8201	Brookshire	Walnut	12B2, 4F4, 8L3
YG8215	Dunhill	Maple	RC7K4K-93AZ
YG8229	Marseilles	Cherrywood	

YG411 IDENTIFICATION CHART			
MODEL	TYPE	FINISH	CHASSIS
TM441	Tuner	Walnut	12B2
PA451	Pre-amplifier	Walnut	4F4A
PS461	Power Unit	Walnut	8L3A
SS1501A	Speaker	Walnut	2 enclosures
RP471	Record Changer	Walnut	RC7K4K-93AZ
YG411	Complete Unit	Walnut	All above

ADMIRAL Chassis 12B2 Tuner Schematic Diagram



AM IF 455 KC.
FM IF 10.7 MC.

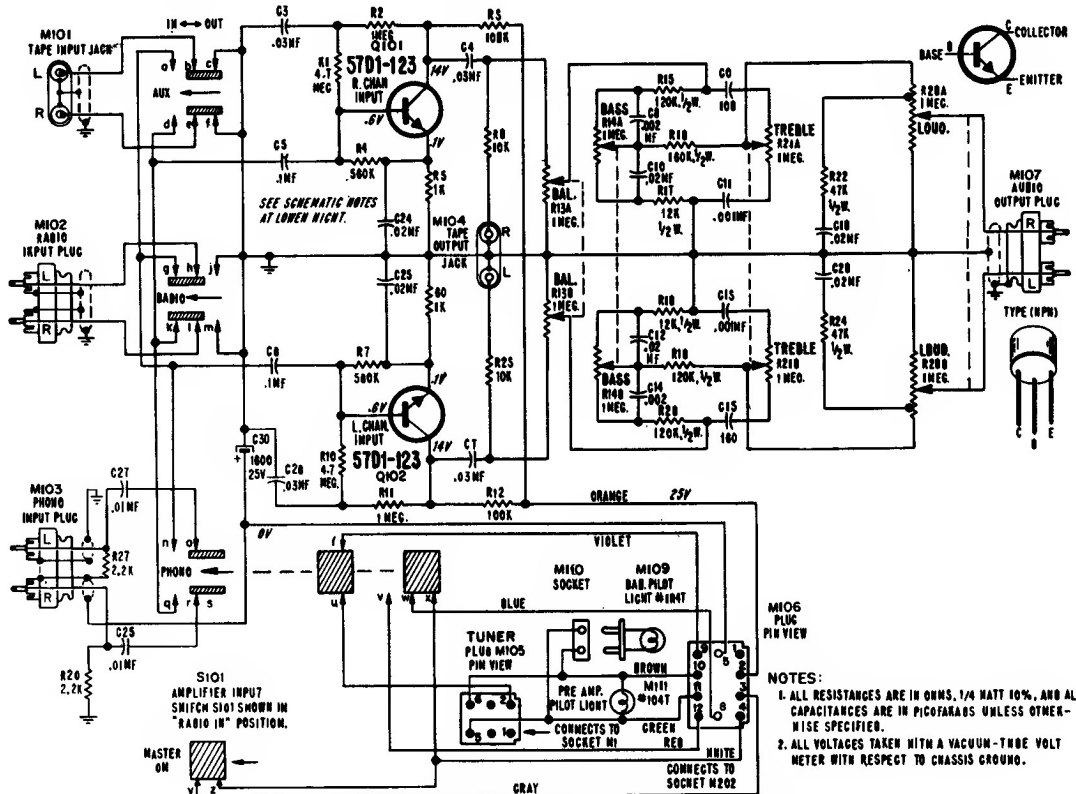


- NOTES:
1. UNLESS OTHERWISE SPECIFIED CAPACITOR VALUES IN PICOFARADS. RESISTOR VALUES IN OHMS, 1/4 WATT, 10%.
 2. MOUNT TRANSISTORS SO DIMPLE OR RED DOT ON CASES FACE REAR OF CHASSIS.
 3. GREEN DOT ON BOTTOM OF TRANSFORMER RASES INDICATES PIN 1.
 4. ALL VOLTAGES TAKEN WITH RESPECT TO CHASSIS GND. WITH VTVM. NO SIGNAL, VOLUME CONTROL MINIMUM.
- RUN CHANGES
- 10 Start of production.
 - 11 12 13 No service significance.
 - 14 15 Signifies that pre amp is used with 8L3 or 8L3A amplifier having run 14 & 15 chngs.

SCHEMATIC FOR 12B2 AM-FM-MX TUNER CHASSIS

CONNECTS WITH M102 OF PREAMP

ADMIRAL 4F4, A, Pre-Amp, and 8L3, A, Power Unit, Continued

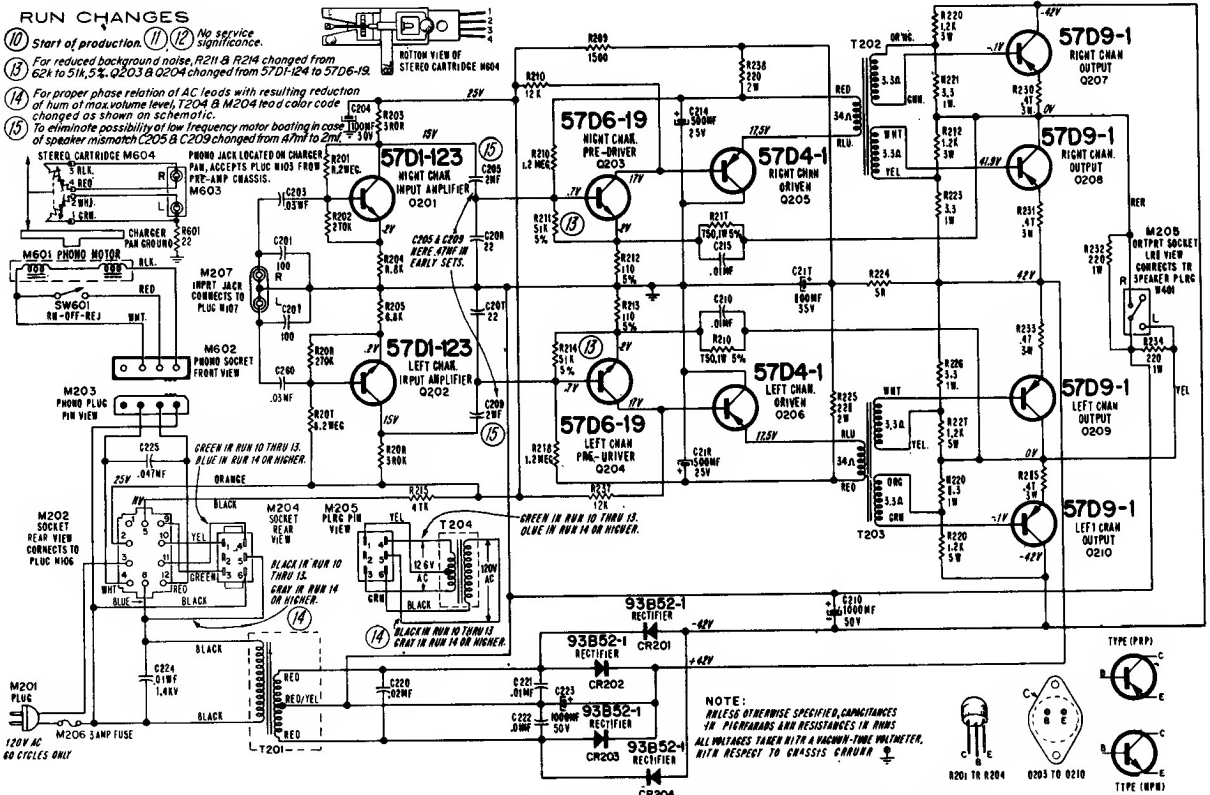


SCHEMATIC FOR 4F4, 4F4A PRE-AMP CHASSIS

- NOTES:**
1. ALL RESISTANCES ARE IN OHMS, 1/4 WATT 10%, AND ALL CAPACITANCES ARE IN PICOFARADS UNLESS OTHERWISE SPECIFIED.
 2. ALL VOLTAGES TAKEN WITH A VACUUM-TUBE VOLT METER WITH RESPECT TO CHASSIS GROUND.

RUN CHANGES

- (11) Start of production. (12) No service significance.
- (13) For reduced background noise, R211 & R214 changed from 62k to 51k, 5%. Q203 & Q204 changed from 57D1-124 to 57D6-19.
- (14) For proper phase relation of AC leads with resulting reduction of hum at max. volume level, T204 & M204 lead color code changed as shown on schematic.
- (15) To eliminate possibility of low frequency motor booting in case of speaker mismatch C205 & C209 changed from 47µ to 2µ. 30V



SCHEMATIC FOR 8L3, 8L3A AMPLIFIER - POWER SUPPLY CHASSIS

- NOTE:** UNLESS OTHERWISE SPECIFIED, CAPACITANCES IN PICOFARADS AND RESISTANCES IN OHMS. ALL VOLTAGES TAKEN WITH A VACUUM-TUBE VOLTMETER, WITH RESPECT TO CHASSIS GROUND.